

E. Installation Method

TOTAL ASS'Y, M/I KIT, WIRE (2 & 3WAY)

주 의

- 허가된 기술자에 의하여 보호장구를 착용 후 안전한 장소에서 장착 분리 합니다.
- Only qualified electrical workers for wearing protective safety equipment, should take and remove the device in the safe place.

* MI KIT BOM LIST

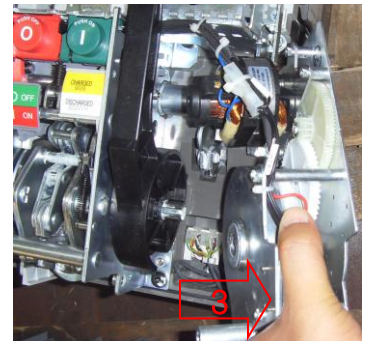
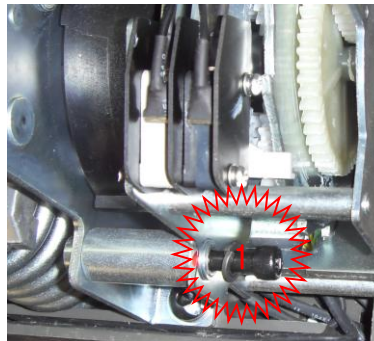
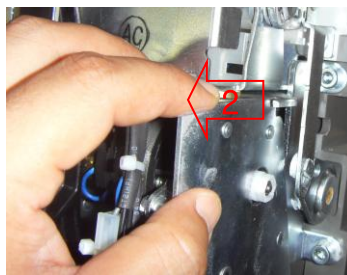
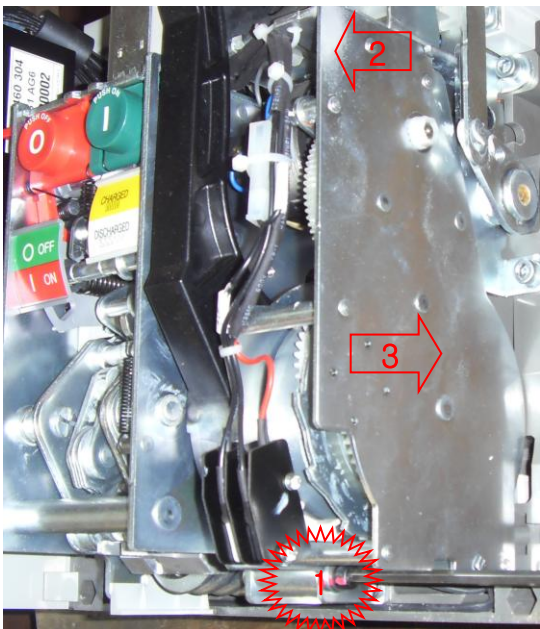
| Level | Item Code | Description | Quantity | | | |
|-------|-------------|--|---------------|---------------|---------------|---------------|
| | | | D & F 2way | E & G 2way | D & F 3way | E & G 3way |
| 0 | 72313460509 | TOTAL ASS'Y,M/I KIT,WIRE_2WAY,AN,AS,AH-D,F,A/S | 1 | | | |
| 0 | 72313460511 | TOTAL ASS'Y,M/I KIT,WIRE_2WAY,AN,AS,AH-E,G,A/S | | 1 | | |
| 0 | 72313460510 | TOTAL ASS'Y,M/I KIT,WIRE_3WAY,AN,AS,AH-D,F,A/S | | | 1 | |
| 0 | 72313460512 | TOTAL ASS'Y,M/I KIT,WIRE_3WAY,AN,AS,AH-E,G,A/S | | | | 1 |
| 1 | 72313461556 | TOTAL ASS'Y,MI,AN,AS,AH-D,F | 2 | | 3 | |
| 1 | 72313463556 | TOTAL ASS'Y,MI,AN,AS,AH-E,G | | 2 | | 3 |
| 1 | 47013460503 | PIN,MI/MOC/DI,AN,AS,AH-D,E,F,G | 2 | 2 | 3 | 3 |
| 1 | 04060000057 | WASHER,SPRING LOCK,D6,SWCH,Ep-Fe/Zn 3/CM2 | 2 | 2 | 3 | 3 |
| 1 | 56123460502 | INTERLOCK ASS'Y,MECHANICAL,WIRE-2WAY | 1 | 1 | | |
| 1 | 56123460503 | INTERLOCK ASS'Y,MECHANICAL,WIRE-3WAY | | | 1 | 1 |
| 1 | 01210000202 | BOLT,HEX SOCKET,S/W,M6,L12,SWCH,Ep-Fe/Zn 3/CM2 | 4 | 4 | 6 | 6 |
| 1 | 58413460514 | PLATE,FIXED_M/I SUPPORTER,AN/AS/AH-DEFG | 2 | 2 | 3 | 3 |

1. FRONT COVER를 분리 하십시오.

1. Remove the FRONT COVER.

2. GEARED MOTOR ASS'Y를 그림과 같은 순서로 분리 하십시오.

2. Remove the GEARED MOTOR ASS'Y according to the instruction given below.

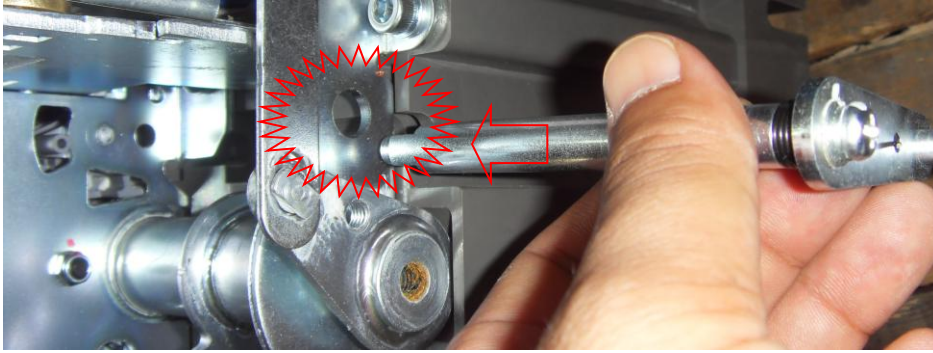


E. 설치 및 제거

TOTAL ASS'Y, M/I KIT, WIRE (2 & 3WAY)

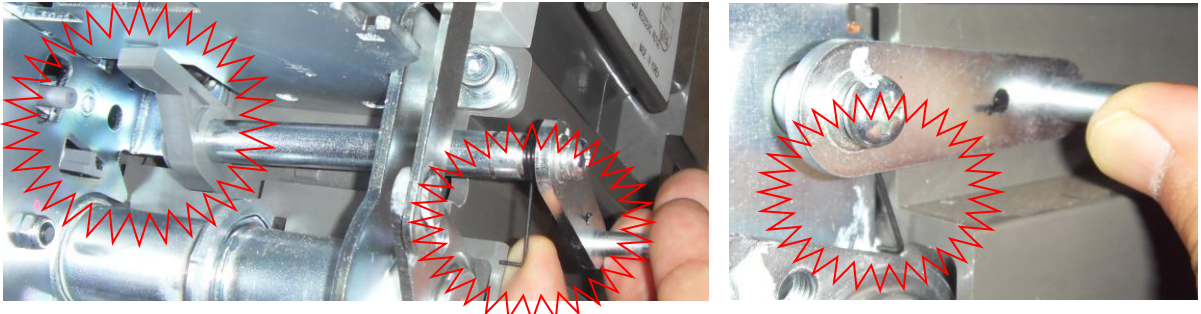
3. M/I ASS'Y의 단면부위를 HOLE에 삽입 하십시오.

3. Insert the cutting part of M/I ASS'Y into the HOLE.



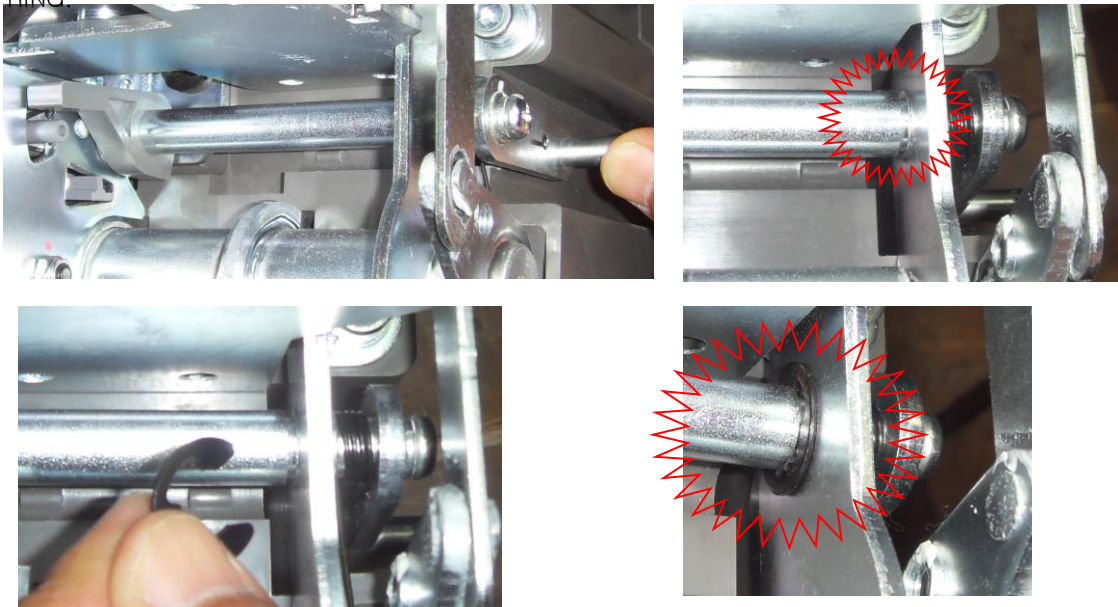
4. M/I ASS'Y의 좌측 단면부위에 레버를 삽입하고, 스프링을 그림과 같이 올린 후, MECHANISM SIDE PLATE의 HOLE에 M/I ASS'Y를 삽입 하십시오.

4. Insert the LEVER into the left cutting side of M/I ASS'Y and put the SPRING according to the instruction given below then, insert the M/I ASS'Y into the HOLE of MECHANISM SIDE PLATE.



5. M/I ASS'Y의 회전 상태를 확인 후 그림의 홈에 E-RING를 체결하십시오.

5. Please check if the M/I ASS'Y fits well to the HOLE according to the instruction given below, and install the E-RING.



E. 설치 및 제거

TOTAL ASS'Y, M/I KIT, WIRE (2 & 3WAY)

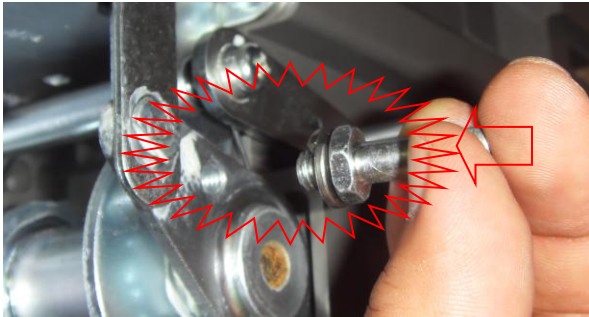
6. M/I ASS'Y를 회전 하여 동작이 원활한지 확인 하십시오.

6. Please check if the M/I ASS'Y works well.



7. PIN, M/I를 S/P WASHER와 함께 그림의 위치에 스페너 10mm를 이용하여 체결 하십시오.

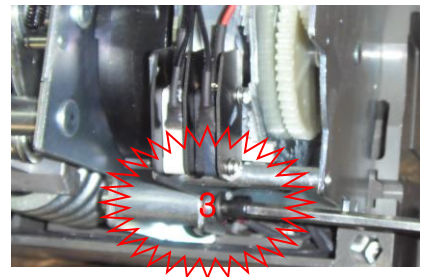
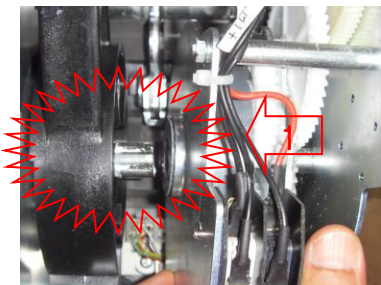
7. Install the PIN, M/I and S/P WASHER with 10mm wrench into the place according to the instruction given below.



8. GEARED MOTOR의 KEY와 MECHANISM SHAFT의 홈을 맞춘 후 GEARED MOTOR를 왼쪽으로 밀어 결합 후

상단의 홈에 끼운 후, 하단의 볼트를 체결하여 모터를 결합 하십시오.

8. Please check if the KEY of GEARED MOTOR fits well to the MECHANISM SHAFT, and then finish the installation by tightening the install the corresponding bolts.

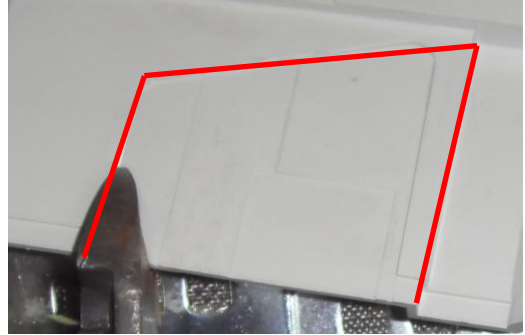


E. 설치 및 제거

TOTAL ASS'Y, M/I KIT, WIRE (2 & 3WAY)

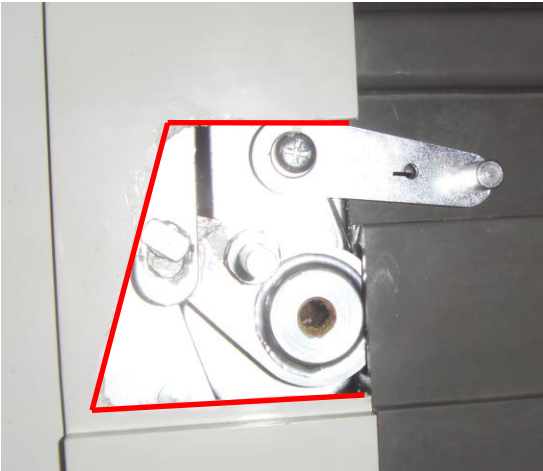
9. FRONT COVER의 우측면 안쪽의 표시선을 따라 CUTTING하여 주십시오.

9. Please cut the guide-line of right inside of FRONT COVER.



10. FRONT COVER를 체결하여 주십시오.

10. Install the FRONT COVER.



E. Installation Method

16. MECHANICAL INTERLOCK WIRE ASS'Y (2 & 3WAY)

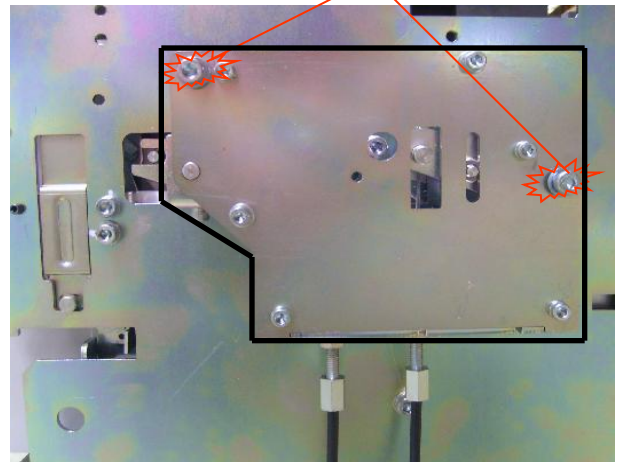
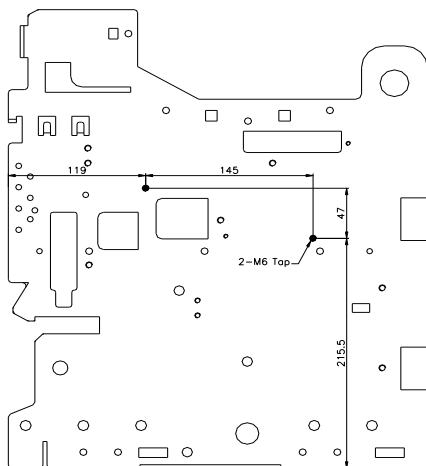
Caution

- If the Cradle is installed or uninstalled to the main unit, M/I UNIT must be installed during OFF condition.
- Installation/Separation must be conducted at the safe place through permitted technician after wearing a protection equipment.

- It is a safety device that Mechanical Interlock mutually connects with two or three circuit breakers.
- In case of draw-out type Mechanical Interlock **only** operates CONNECTED position of circuit breaker.



2-M6*60L BOLT, P.S/W

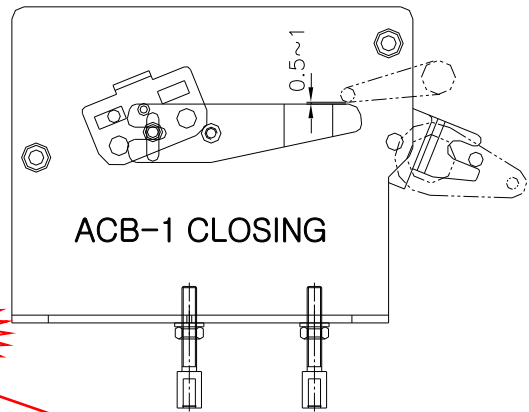
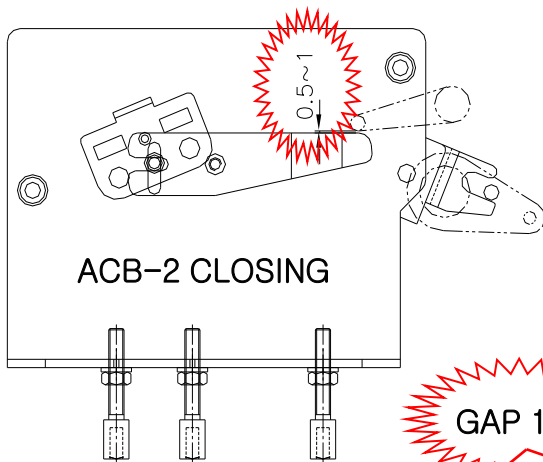
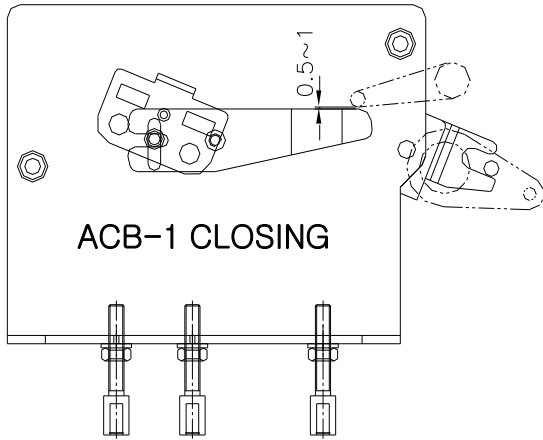


1. As illustrated, install as indicated at the spot 2 using the enclosed **M6 BOLT**.
2. Please install the wire cable as the below condition.
 - 1) Bending radius : $R \geq 100\text{mm}$
 - 2) The whole of bend angle : $\theta_1 + \theta_2 + \dots + \theta_n \leq 540^\circ$ (3/2Turn)
3. Adjusting and Checking
 - 3.1 The Breaker(N(Normal), R(Replacement) which is mutually connected with Mechanical Interlock (Wire Type) must be charged manually through charge handle at the OFF condition.
 - * Check the condition when circuit breaker is completely "CONNECTED" position in the cradle.
 - 3.2 N(Normal) breakers must be closed pressing the ON button.
 - 3.3 R(Replacement) Breakers must be checked that the breaker **does not close** after pressing the ON button.
 - 3.4 Change the position of N(normal), R(Replacement) breakers and repeat above 3.1_3.3 action several times.

E. 설치 및 제거

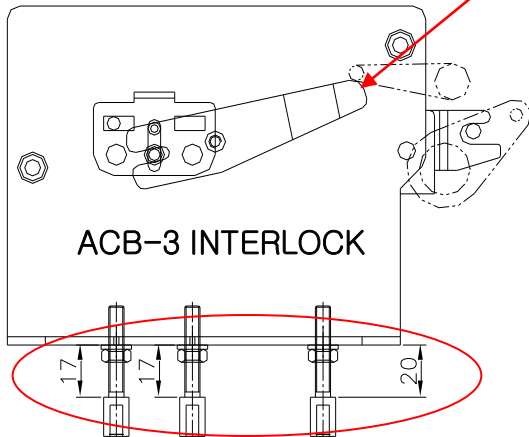
16. MECHANICAL INTERLOCK WIRE ASS'Y (2 & 3WAY)

■ Trouble shooting

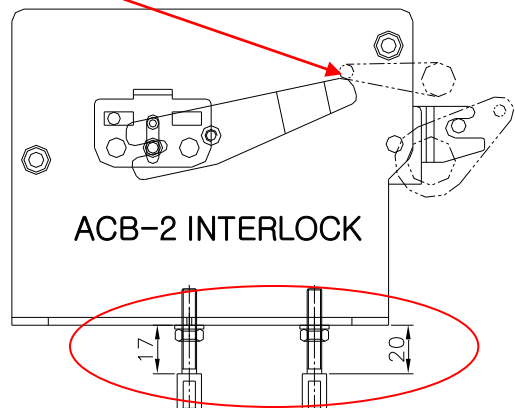


GAP 1~2

A red starburst shape highlights the gap between the interlock and the panel, with two red arrows pointing to the interlock assembly in the diagrams below.



M/I 3-WAY



M/I 2-WAY